

S3219E

ELECTRIC SLAB SCISSOR LIFTS



- Self-propelled electric scissor lift
- Compact & nimble
- Drives through a standard doorway
- Suitable for indoor and outdoor use
- Easy to use & maintain

 **snorkel**
www.snorkellifts.com

ELECTRIC SLAB SCISSOR LIFTS

S3219E

DIMENSIONS S3219E

Max. working height	7.79m
Max. platform height (A)	5.79m
Platform size (stowed)	1.61m x 0.71m
Platform size (extended)	2.53m x 0.71m
Deck extension length	0.91m
Overall length (C)	1.79m
Overall width (D)	0.81m
Stowed height (B)	2.09m
Min. height (guardrails folded)	1.65m
Ground clearance (stowed)	66mm
Ground clearance (elevated)	19mm

PERFORMANCE

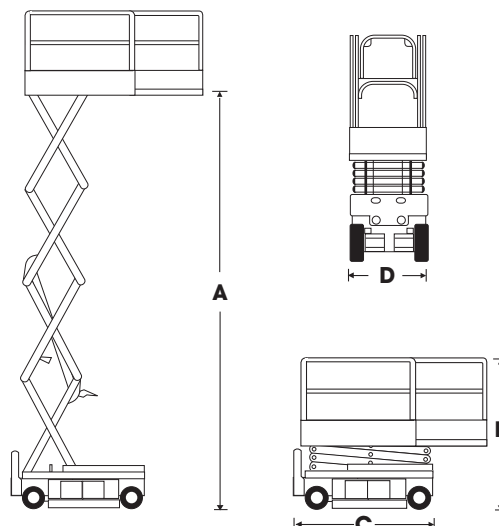
Platform capacity (SWL)	250kg
Max. drive height	5.79m
Max. wind speed	12.5m/s
Max. drive speed (stowed)	3.2km/h
Max. drive speed (elevated)	0.6km/k
Gradeability	25%
Inside turning radius	0.1m
Outside turning radius	1.63m
Tires	non-marking solid rubber
Controls	proportional
Drive system	2 wheel drive

POWER

Power source	4 x 6V 220amp hour batteries
Charger	90 - 240V, 25amp

WEIGHT

Weight	1,564kg
--------	---------



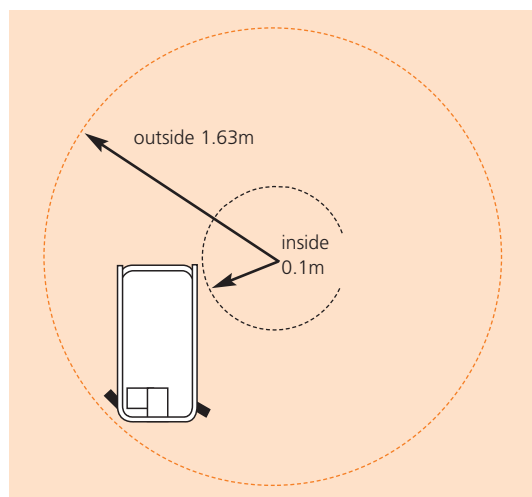
STANDARD FEATURES

- Roll-out deck extension with locking handles
- Non-marking tyres
- Swing-out service trays
- Saloon door entry
- Key switch
- 2 persons + equipment capacity indoors
- 1 person + equipment capacity outdoors
- Proportional controls
- Power line to platform
- Hour meter & onboard diagnostics display
- Dual lanyard attachments points
- Flashing amber light
- CE approved

OPTIONS

- Special paint colours
- Environmental (green) oil

TURNING RADIUS



Sales
Rental
Service



HELI.be

Vantegemstraat 9 | B-9230 Wetteren | +32 9 368 80 80 | info@heli.be

snorkel

www.snorkellifts.com

Vigo Centre, Birtley Road,
Washington, Tyne & Wear,
NE38 9DA, U.K.

t: +44 (0) 845 1550 057
e: sales@snorkellifts.com